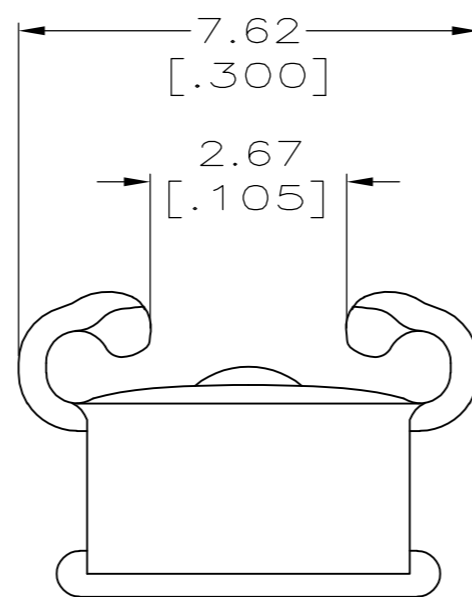
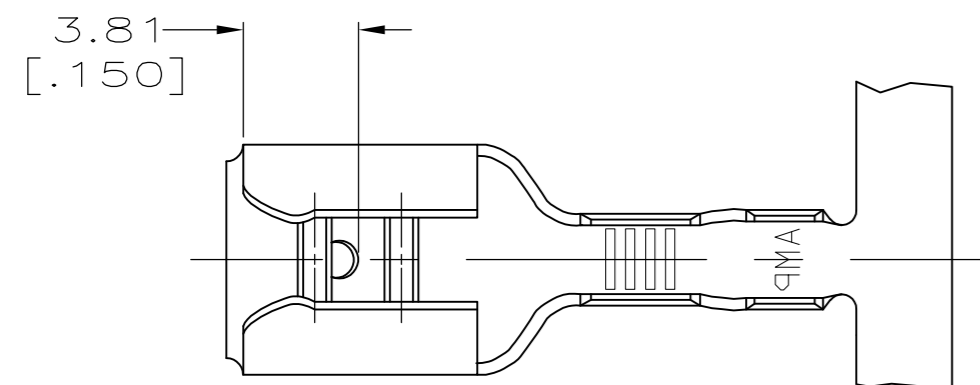


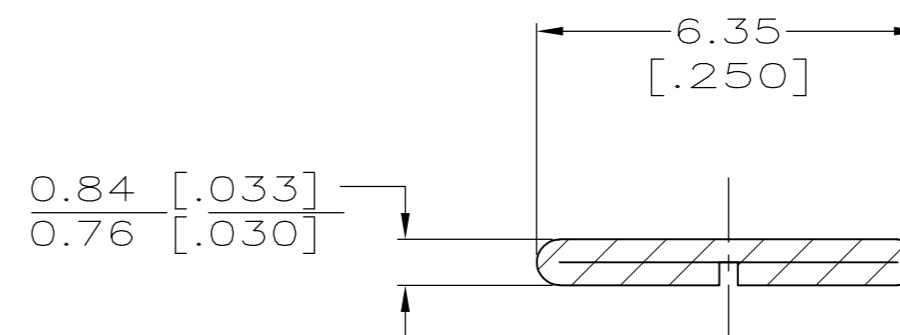
THIS DRAWING IS UNPUBLISHED. RELEASED FOR PUBLICATION  
 © COPYRIGHT BY TYCO ELECTRONICS CORPORATION. ALL RIGHTS RESERVED.

LOC		DIST		REVISIONS			
P	LTR	DESCRIPTION		DATE	DWN	APVD	
AF	50	G2	REVISED PER ECR-07-027728		27FEB08	HMR	PD

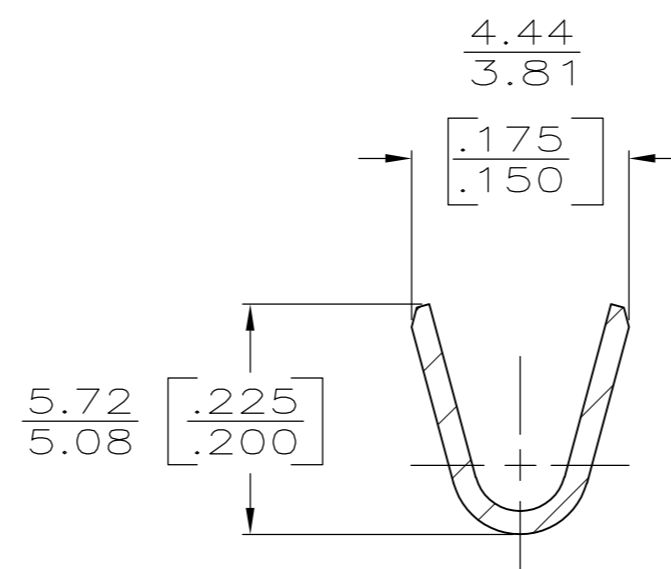
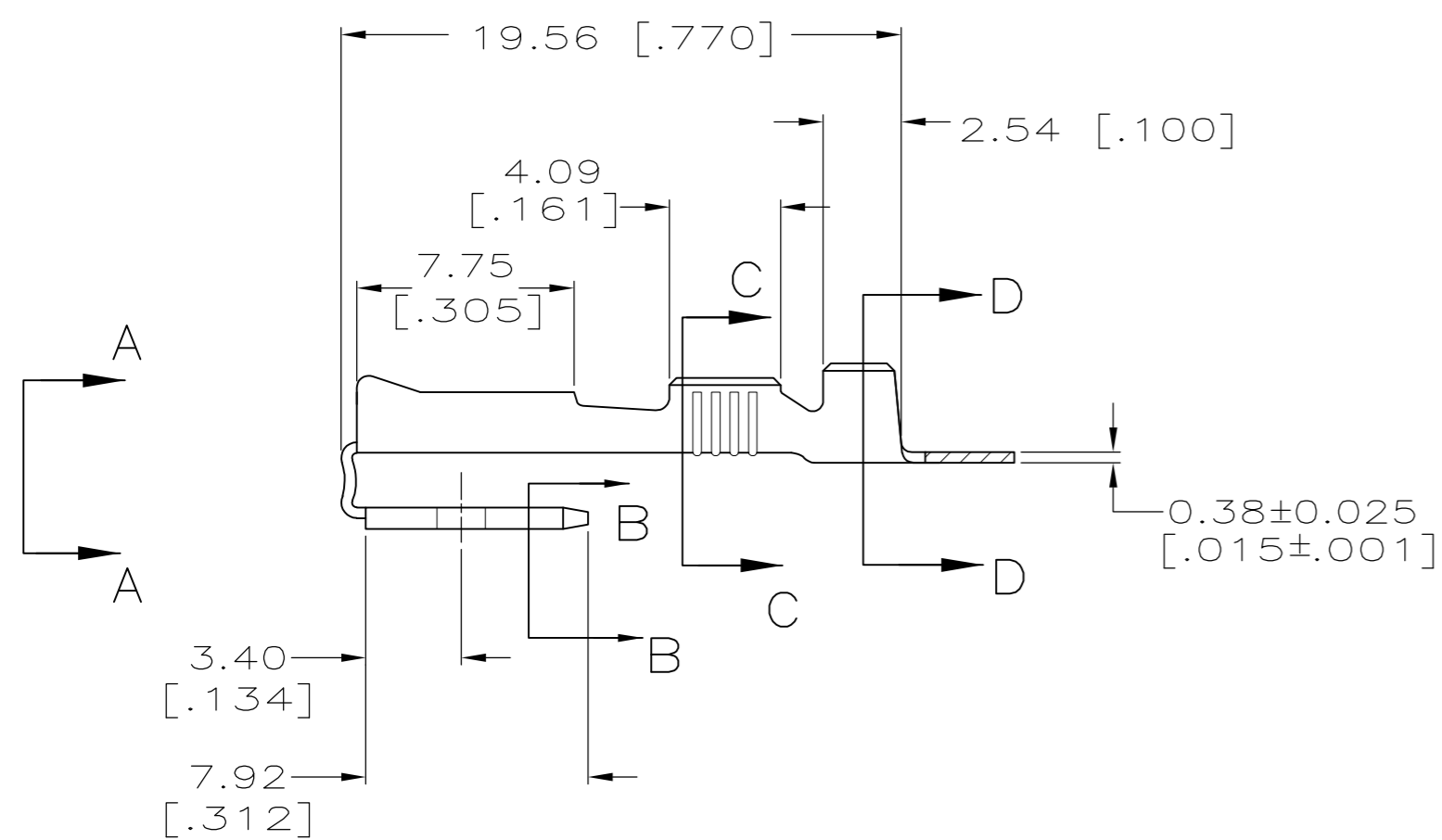
- 1 CONTINUOUS STRIP ON REELS
- 2 MATING TAB THK TO BE 0.81±0.025 [.032±.001]
- 3 WIRE SIZE IS #14-#10 AWG.
- 4 INSULATION RANGE IS 3.81-5.08 [.150-.200] DIA.



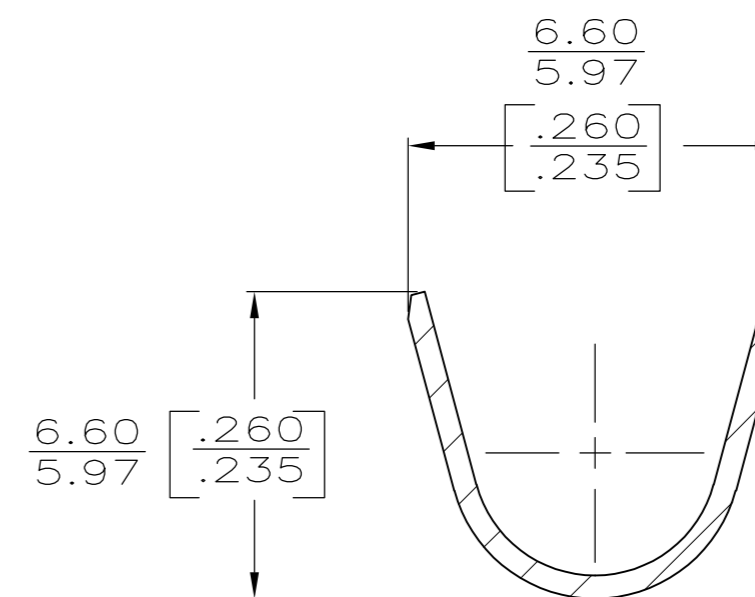
VIEW A-A  
SCALE 8:1



SECTION B-B  
SCALE 8:1



SECTION C-C  
SCALE 8:1



SECTION D-D  
SCALE 8:1

TIN	#4H BRASS	62253-2
-	#4H BRASS	62253-1
FINISH	MATERIAL	PART NO

THIS DRAWING IS A CONTROLLED DOCUMENT.		DWN	JR RUTH	7/12/89	Tyco Electronics Corporation Harrisburg, PA 17105-3608				
DIMENSIONS: INCHES		CHK	MS FEHER	7/12/89					
TOLERANCES UNLESS OTHERWISE SPECIFIED:		APVD	C MEYERS	7/12/89					
0 PLC ± - 1 PLC ± - 2 PLC ± - 3 PLC ± 0.38 [.015] 4 PLC ± - ANGLES ± -		PRODUCT SPEC	NAME						
MATERIAL	SEE TABLE	APPLICATION SPEC	114-2082		SIZE	CAGE CODE	DRAWING NO	RESTRICTED TO	
FINISH	SEE TABLE	WEIGHT	-		A2	00779	C=62253	-	
CUSTOMER DRAWING				SCALE	4:1	SHEET	1 of 1	REV	G2